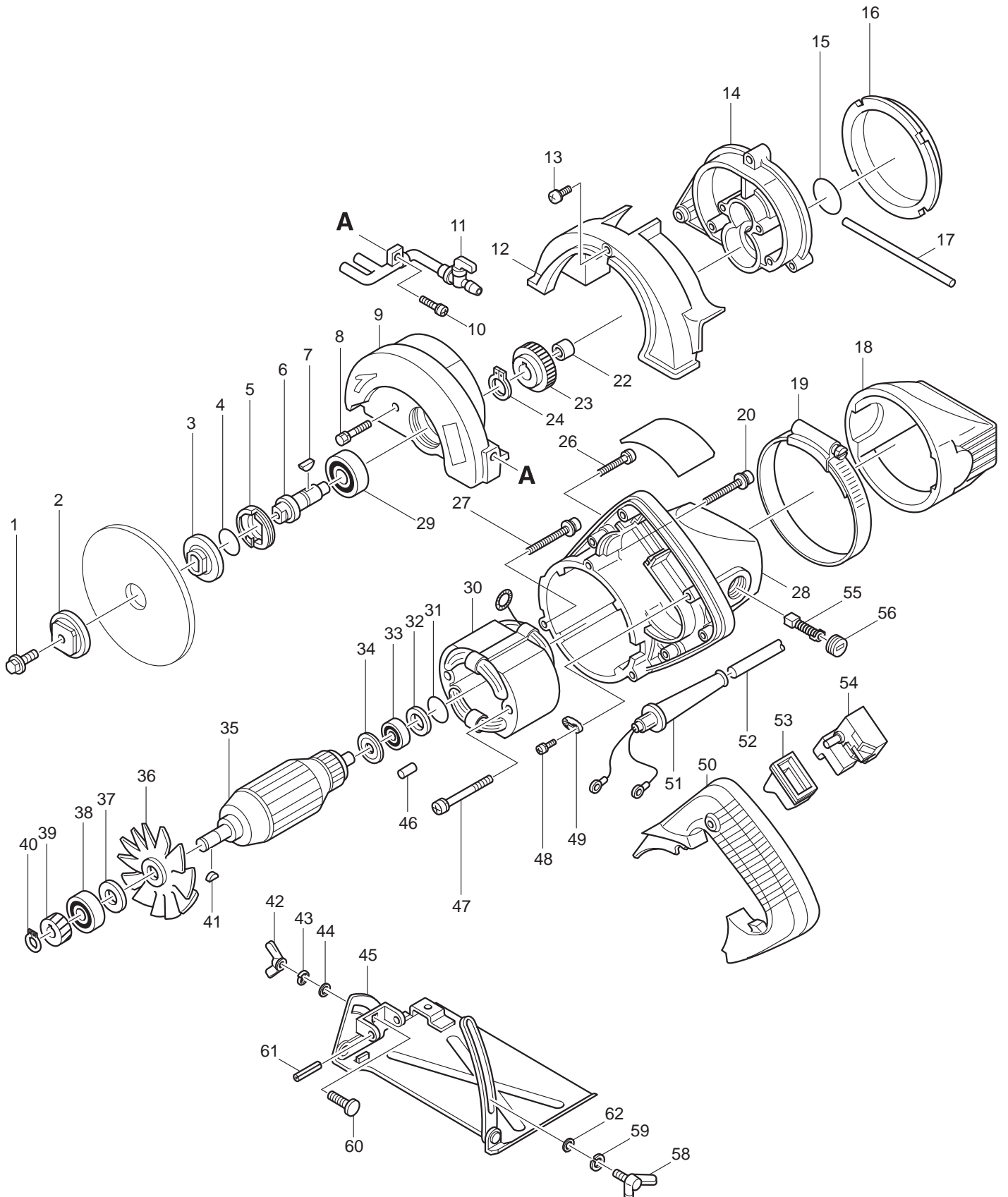




02 - 2010  
4101RH  
5" TILE CUTTER



Item No.	Type	Sub	Part No.	Description	Qty	Unit
1			266133-3	HEX. SOCKET HEAD BOLT M6X20	1	PC.
2	1		224081-2	* OUTER FLANGE 36	1	PC.
	2		224414-1	* OUTER FLANGE 36	1	PC.
3	1		224080-4	* INNER FLANGE 36	1	PC.
	2		224413-3	* INNER FLANGE 36	1	PC.
4			213255-0	O RING 18	1	PC.
5			285815-8	BEARING RETAINER 19-33	1	PC.
6			321197-5	SPINDLE	1	PC.
7			254001-2	WOODRUFF KEY 4	1	PC.
8			925146-0	+ HEX. BOLT M4X25	4	PC.
9			151509-6	BLADE CASE COMPLETE	1	PC.
		INC.	810939-7	CAUTION LABEL	1	PC.
10			911123-8	PAN HEAD SCREW M4X14	1	PC.
11			153409-6	* WATER SUPPLY PIPE COMPLETE	1	PC.
		INC.	213014-2	* O RING 3	1	PC.
12			410910-7	COVER B	1	PC.
13			911203-0	PAN HEAD SCREW M5X8	1	PC.
14			150926-7	GEAR HOUSING COMPLETE	1	PC.
		INC.		ITEM NO. 15		
15			213407-3	O RING 26	1	PC.
16			415403-9	BAFFLE PLATE	1	PC.
17			423155-8	SEAL RUBBER	1	PC.
18			414074-9	COVER A	1	PC.
19			163282-6	CLAMP 90	1	PC.
20			911258-5	PAN HEAD SCREW M5X35	1	PC.
22			212004-2	NEEDLE BEARING 810	1	PC.
23			226420-2	HELICAL GEAR 42	1	PC.
24			961052-5	RETAINING RING S-12	1	PC.
26			911148-2	PAN HEAD SCREW M4X25	4	PC.
27			911263-2	PAN HEAD SCREW M5X40	2	PC.
28			151771-3	MOTOR HOUSING COMPLETE	1	PC.
		INC.	643708-9	BRUSH HOLDER 5-11	2	PC.
		INC.	818572-9	EARTH MARK LABEL	1	PC.
		INC.		ITEM NO. 46		
29			211129-9	BALL BEARING 6201DDW	1	PC.
30			522841-9	FIELD ASS'Y 115V	1	PC.
		INC.	654020-2	RING TERMINAL	2	PC.
		INC.	654502-4	CONNECTOR P-2	2	PC.
31			213262-3	O RING 18	1	PC.
32			253192-6	FLAT WASHER 14	1	PC.
33			211033-2	BALL BEARING 608LB	1	PC.
34			681613-2	INSULATION WASHER	1	PC.
35			518624-3	ARMATURE ASS'Y 115V	1	PC.
		INC.		ITEM NO. 33,34,36-38		
36			240007-6	FAN 68	1	PC.
37			253741-9	FLAT WASHER 9	1	PC.
38	1		211056-0	BALL BEARING 629LLB	1	PC.
	2		210042-8	BALL BEARING 629LLB	1	PC.
39			226419-7	HELICAL GEAR 19	1	PC.
40			961004-6	RETAINING RING S-8	1	PC.
41			254002-0	WOODRUFF KEY 3	1	PC.
42			252623-2	WING NUT M6	1	PC.
43			942151-2	SPRING WASHER 6	1	PC.
44			941151-9	FLAT WASHER 6	1	PC.
45			168216-4	BASE	1	PC.
46			263002-9	RUBBER PIN 4	1	PC.
47			911290-9	PAN HEAD SCREW M5X65	2	PC.

Item No.	Type	Sub	Part No.	Description	Qty	Unit
48			911133-5	PAN HEAD SCREW M4X18	2	PC.
49			687063-9	CORD CLAMP	1	PC.
50			152597-6	HANDLE COVER COMPLETE	1	PC.
		INC.	421459-2	DUST COVER	1	PC.
51			682502-4	CORD GUARD 8-85	1	PC.
52			699012-4	POWER SUPPLY CORD UNIT	1	PC.
		INC.	652756-7	RESIDUAL CURRENT DEVICE	1	PC.
53			421329-5	DUST COVER	1	PC.
54			651252-2	SWITCH SGES215C	1	PC.
55	1		191963-2	CARBON BRUSH CB-303 2PC/SET (W/O ORIGIN)	1	SET
	2		194996-6	CARBON BRUSH CB-303 2PC/SET (W/ ORIGIN)	1	PC.
56			643755-0	HOLDER CAP	2	PC.
58			251886-7	WING BOLT M6X10	1	PC.
59			942151-2	SPRING WASHER 6	1	PC.
60			251919-8	CAP SQUARE NECK BOLT M6X20	1	PC.
61			951219-3	SPRING PIN 6-32	1	PC.
62			941151-9	FLAT WASHER 6	1	PC.
63			654532-5	TERMINAL BLOCK 1P	1	PC.
64			632829-2	LEAD UNIT	1	PC.
65			652014-1	PAN HEAD SCREW M4X8	1	PC.
66			410047-0	WRENCH HOLDER 5.6	1	PC.
100			652008-6	P.H. SCREW M3.5 X 7	4	PC.
101			654037-5	INSLTED TERMINAL FK1.25-M3	4	PC.
102			654077-3	INSULATED TERMINAL FK2-M3D-5.5	1	PC.

### ACCESSORIES

A01		412087-4	VINYL TUBE 4	1	PC.
A02		165263-6	WATER SUPPLY PLUG	1	PC.
A03		A-90934	125MM DIAMOND WHEEL(RIM/WET) (Old# A-90598)	1	PC.
A04		781011-1	WRENCH 22	1	PC.
A05		783203-8	HEX. WRENCH 5	1	PC.
A06		165264-4	PRESSURE REGULATOR	1	PC.
A07		164095-8	RIP FENCE	1	PC.

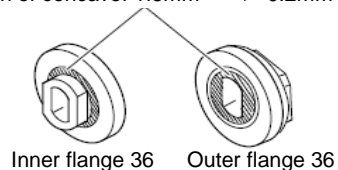
### SERVICE CHANGES

#### 1. Changes on Outer Flange and Inner Flange

Item No.	Description	Type 1	Type 2
2	Outer Flange 36	224081-2	224414-1
3	Inner Flange 36	224080-4	224413-3

Above parts are completely interchangeable as a set.

Depth of concave: 1.5mm → 0.2mm



#### 2. Changes on Pipe Complete

Item No.	Description	Type 1	Type 2
11	Pipe Complete / Water Supply Pipe Complete	150172-2	153409-6
		